

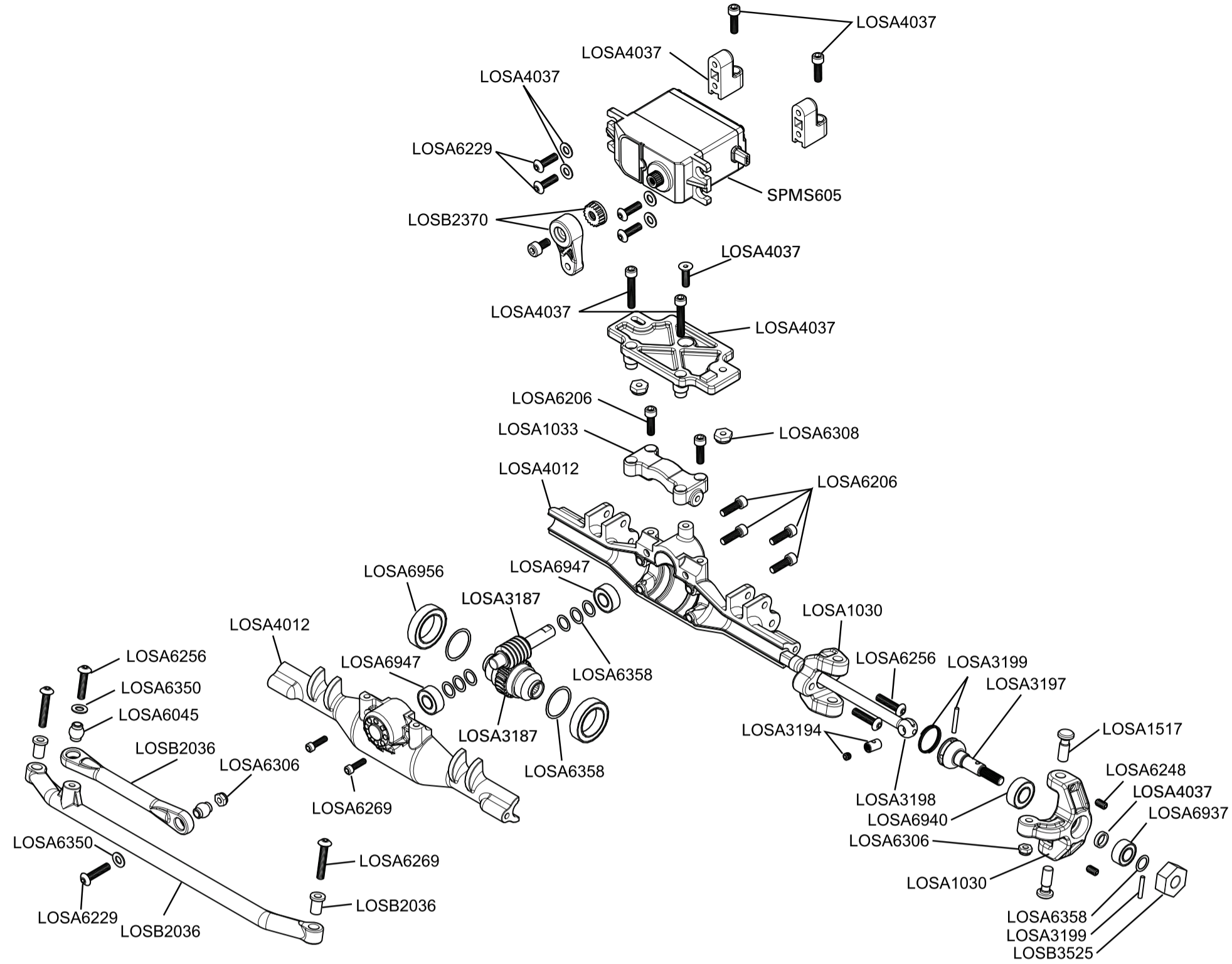


NIGHTCRAWLER 2.0 RTR

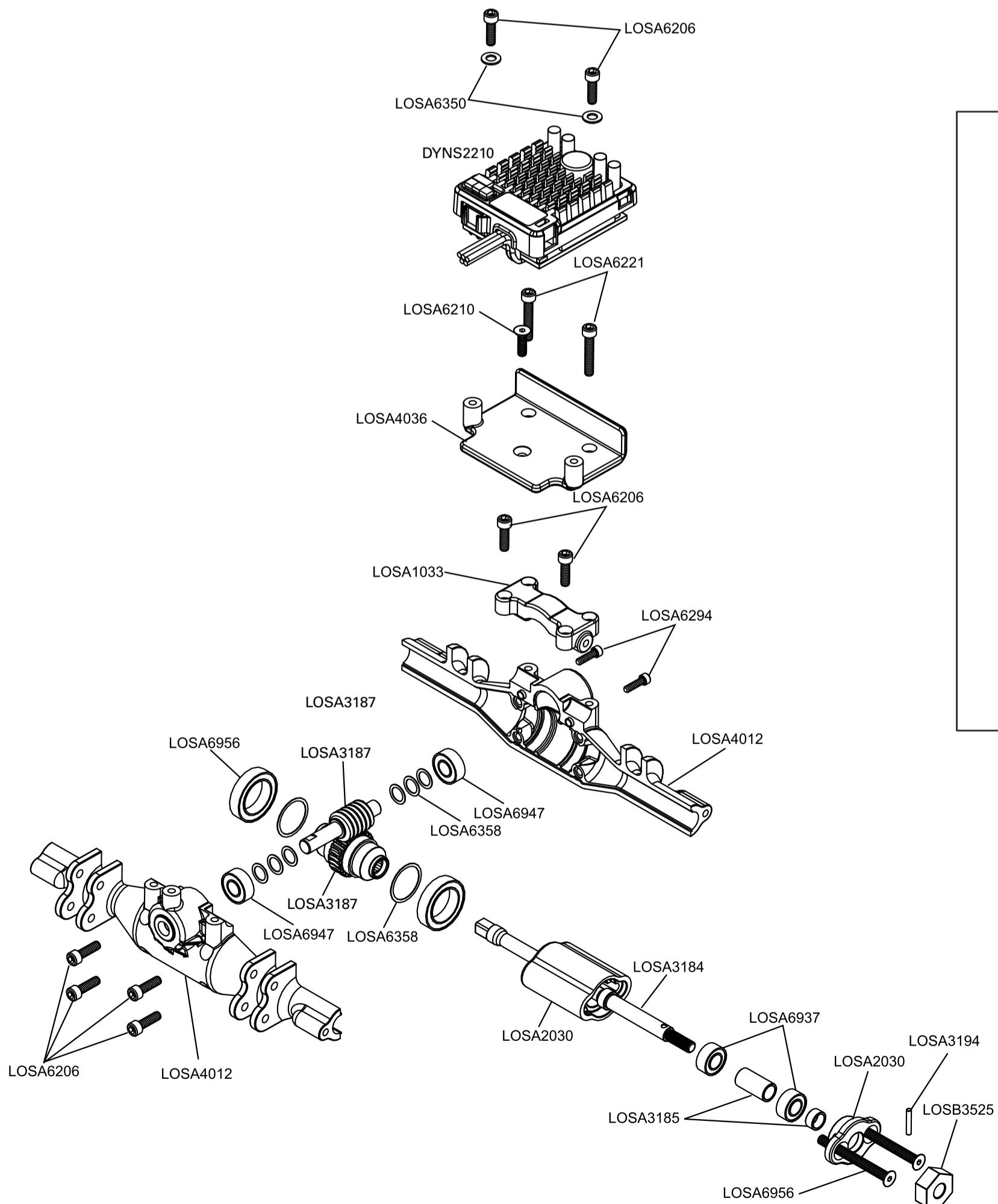
1/10 4WD ROCK CRAWLER

OWNER'S MANUAL | BEDIENUNGSANLEITUNG | MANUEL DE L'UTILISATEUR | MANUALE DELL'UTENTE

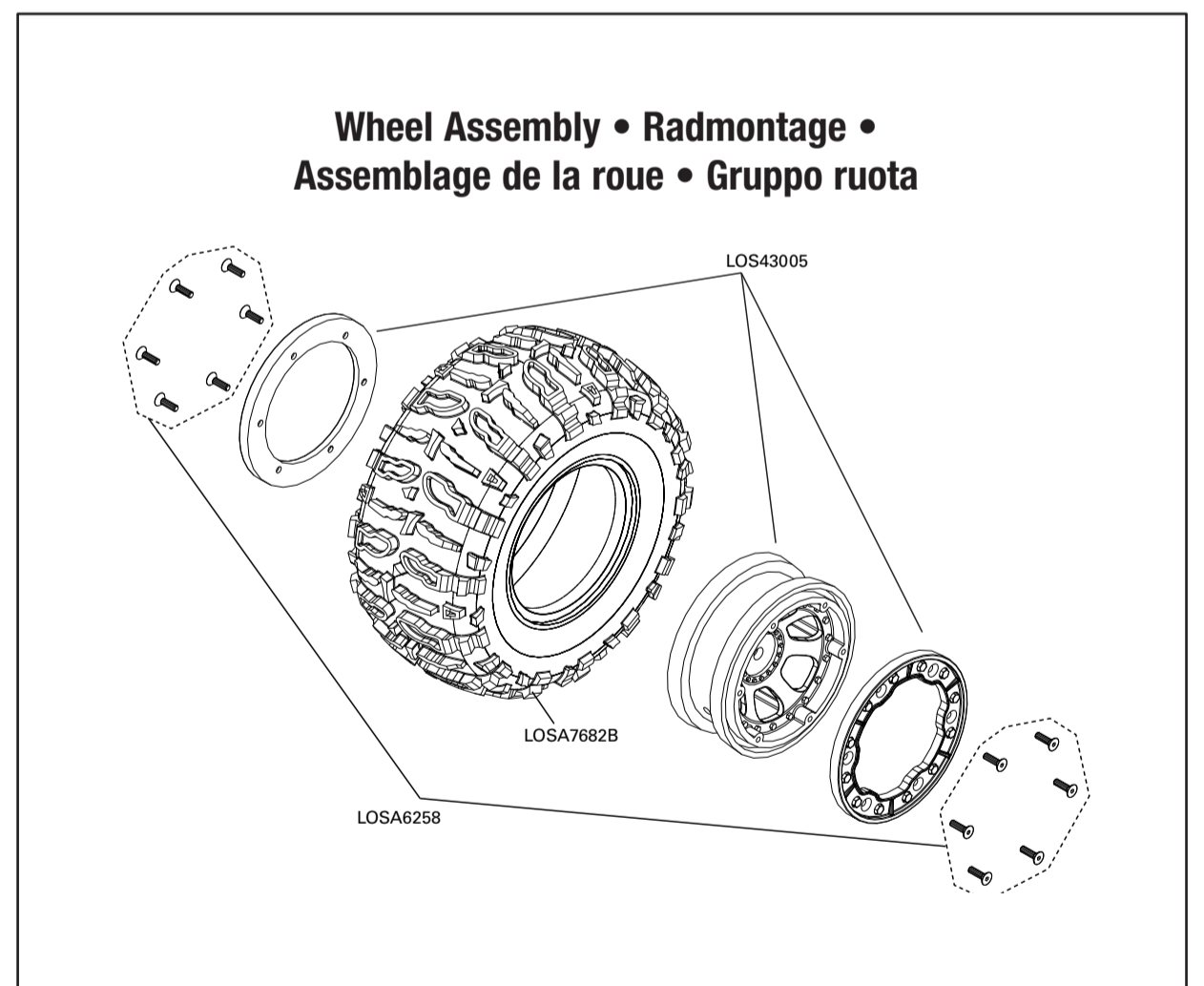
Front Assembly • Montage Front • Train avant • Gruppo anteriore



Rear Assembly • Montage Heck • Train arrière • Gruppo posteriore



Wheel Assembly • Radmontage • Assemblage de la roue • Gruppo ruota



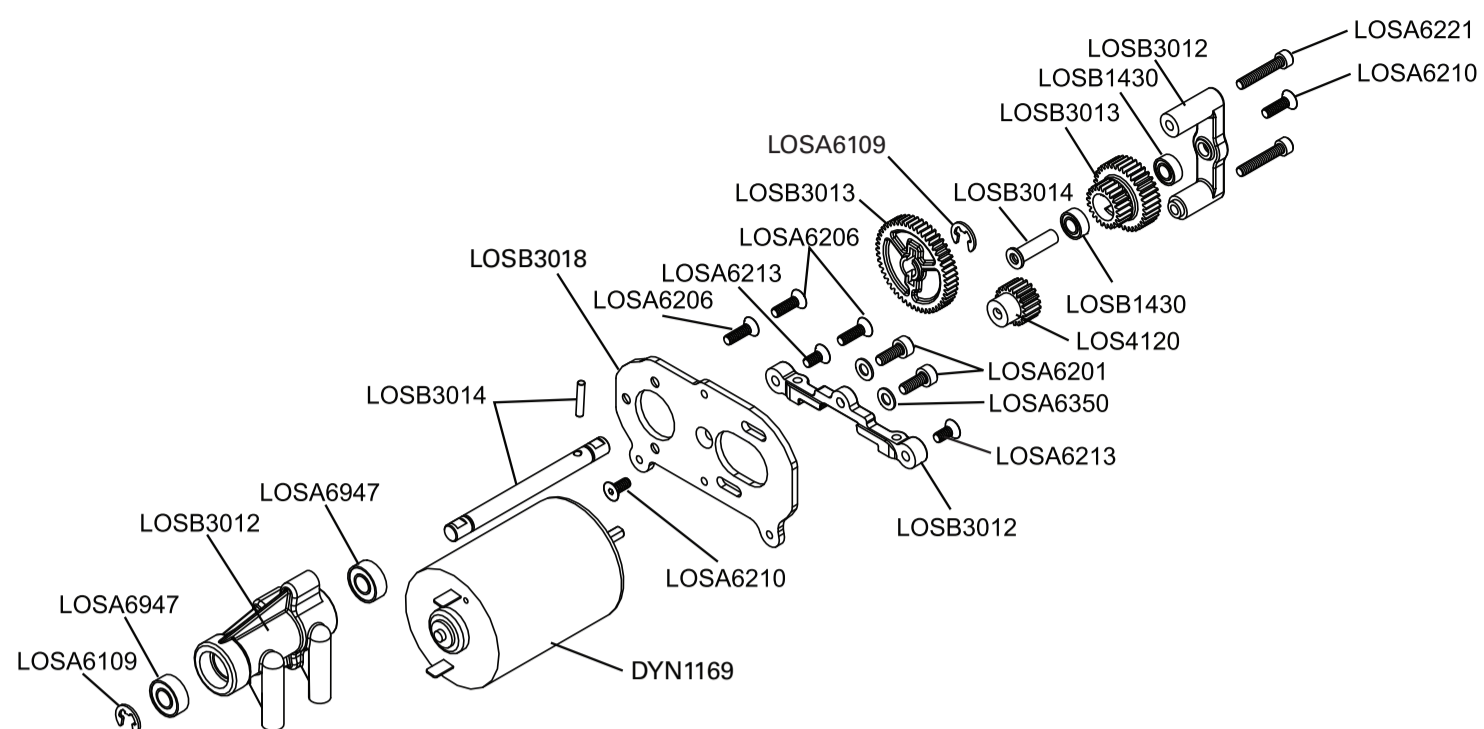


NIGHTCRAWLER 2.0 RTR

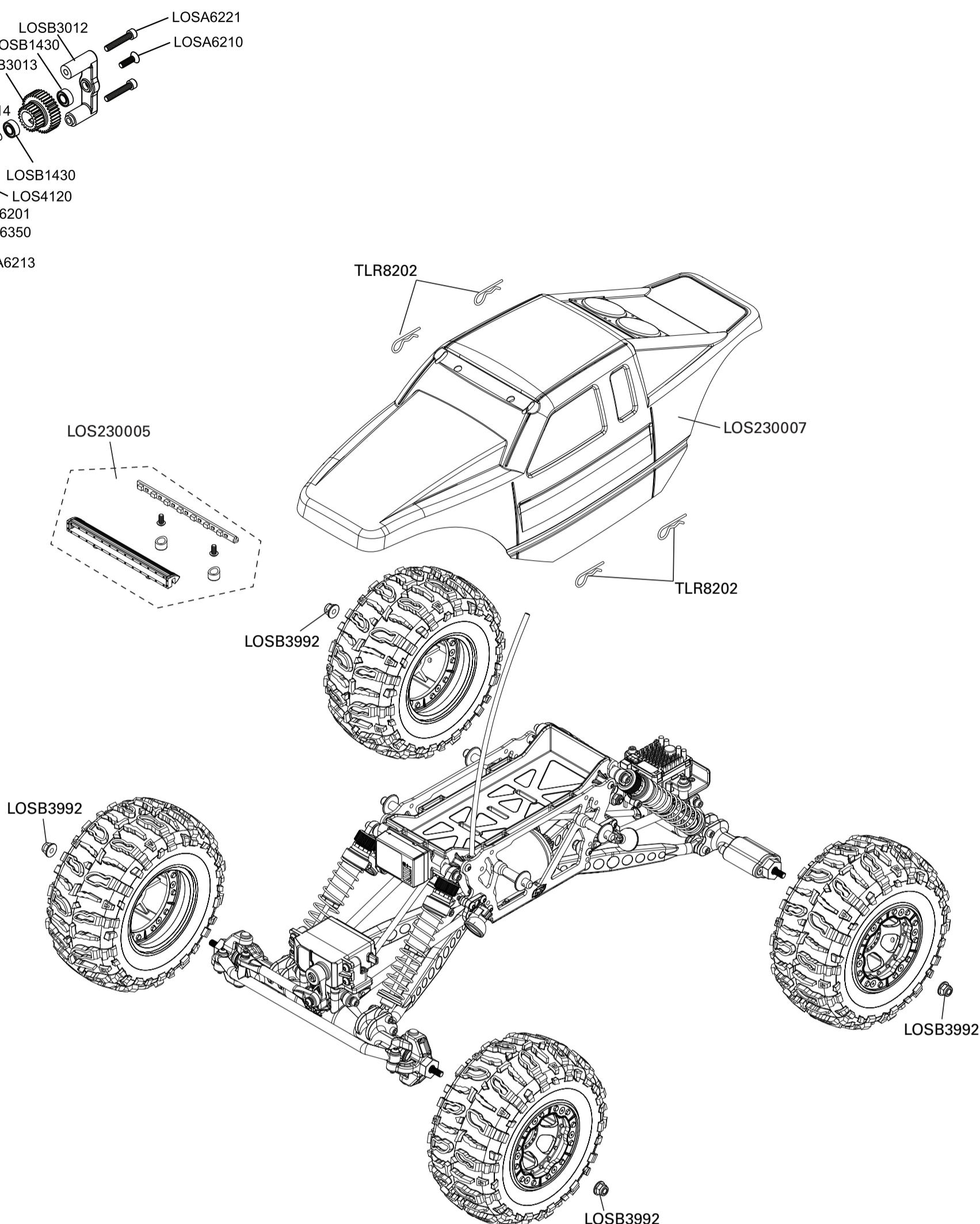
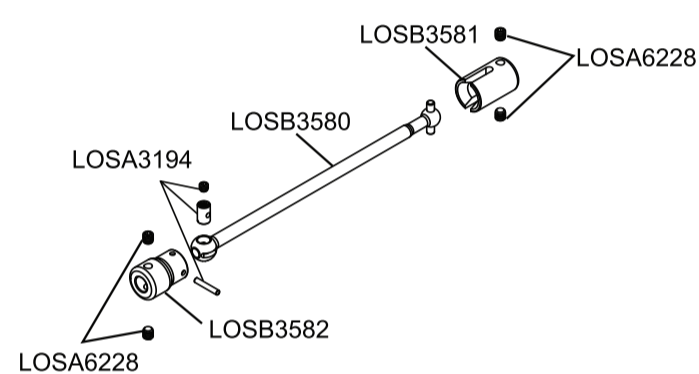
1/10 4WD ROCK CRAWLER

OWNER'S MANUAL | BEDIENUNGSANLEITUNG | MANUEL DE L'UTILISATEUR | MANUALE DELL'UTENTE

Motor Assembly • Motormontage • Assemblage du moteur • Gruppo motore

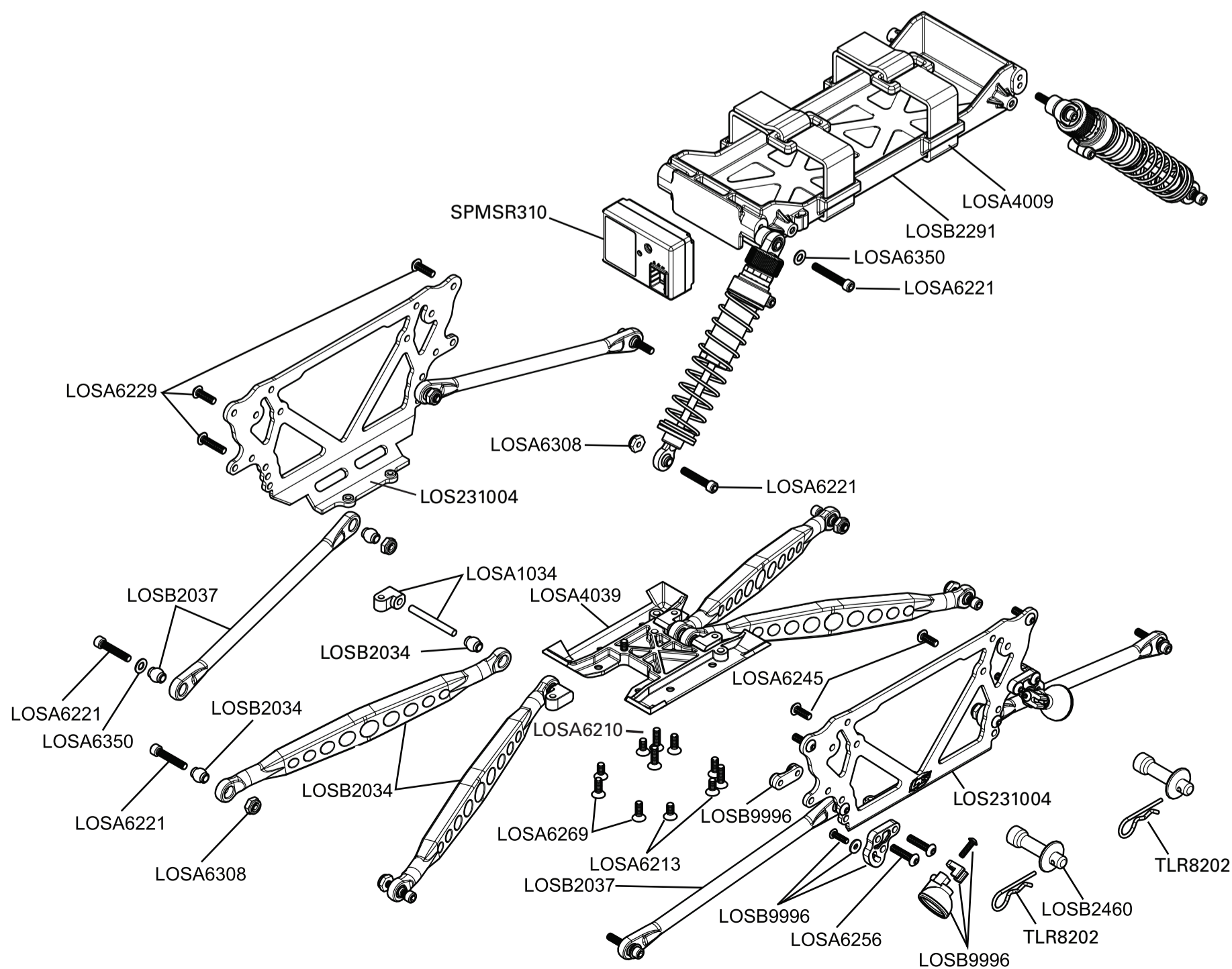
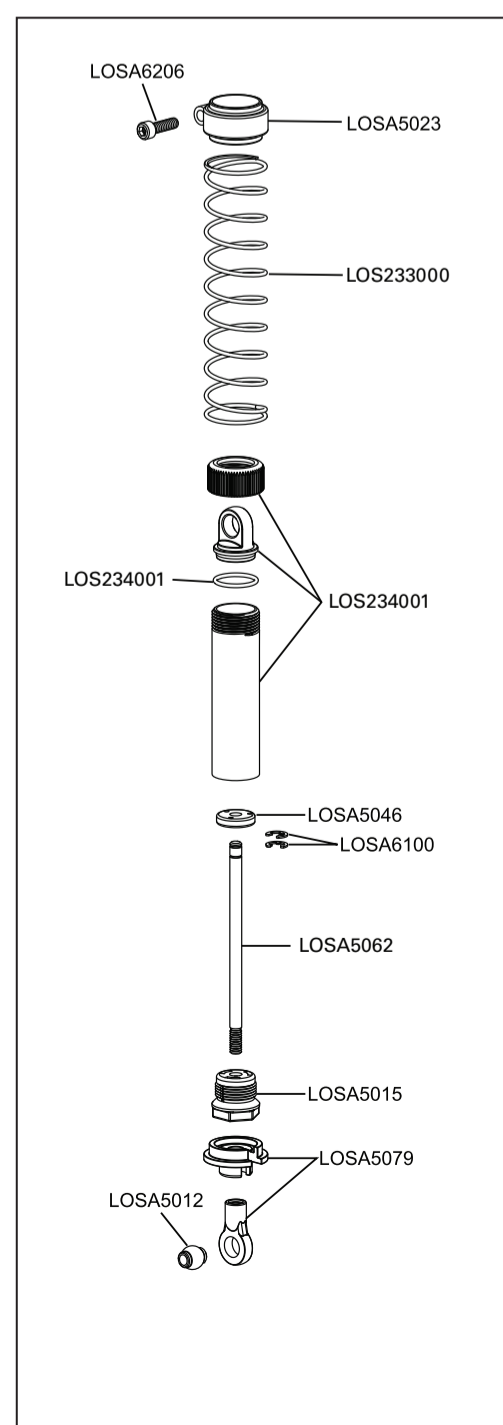


Center Driveshaft Assembly Montage Antriebswelle mitte Assemblage du cardan central Gruppo albero di trasmissione centrale



- Shock Assembly
- Stoßdämpfer Montage
- Assemblage d'un amortisseur
- Gruppo ammortizzatore

Chassis • Chassis • Châssis • Telaio





NIGHTCRAWLER 2.0 RTR

1/10 4WD ROCK CRAWLER

OWNER'S MANUAL | *BEDIENUNGSANLEITUNG* | *MANUEL DE L'UTILISATEUR* | *MANUALE DELL'UTENTE*

Replacement Parts List • Teileliste • Liste des pièces de rechange • Elenco dei ricambi

Part #	English	Deutsch	Français	Italiano
DYN1169	Dynamite 55-Turn Brushed Motor	Dynamite 55-Turn Bürstenmotor	Moteur à balais Dynamite 55T	Dynamite motore a spazzola 55 giri
DYNS2210	WP 60A FWD/REV Brushed ESC	Dynamite WP 60A Vorw. / Rückw Bürstenregler	Variateur 60A étanche, marche Av/Arr pour moteur à balais	WP 60A FWD/REV Brushed ESC
LOS4120	48 Pitch Pinion Gear, 20 tooth	48 Motoritzel 20Z	Pignon moteur 20T 48DP	Pignone 48P, 20T
LOS43005	2.2 Beadlock Wheels, Chrome W/Red Rings: NCR2.0	Beadlock Reifen, Chrome mit roten Ringen (2): NCR2.0	NCR2.0 - Jantes 2.2" Beadlock, chromées avec anneaux rouges (2)	2.2 cerchioni Beadlock, cromati con anelli rossi: NCR2.0
LOSA1030	Spindle & Carrier Set	Achsschenkel & Achsschenkelhalter	Fusées et portes fusée	Set fusello e portafusello
LOSA1033	Upper Suspension Link Mount	Losi Dämpferbefestigung oben	Support de tirants supérieurs	Supporto collegamento sospensioni superiore
LOSA1034	Lower Suspension Link Mounts & Pins	Losi Dämpferbefestigung unten mit Bolzen	Support tirants inférieurs et axes	Supporto collegamento sospensioni inferiore e perni
LOSA1517	Steering King Pins & Hardware	Losi King Pins und Zubehör für Lenkung: CCR	Axes de pivot	King pin sterzo e hardware
LOSA2030	Rear Outer Hub, Cap & Hardware	Losi Radträger Außen inkl. Zubehör	Fusée arrière	Hub posteriore esterno, tappo e hardware
LOSA3184	Rear Axle	Hinterachse	Axes de roues arr	Asse posteriore
LOSA3185	Rear Axle Spacer Set, Alum	Distanzhülse Hinterachse Aluminium	Set d'entretoise alu pour axe de roues arrière	Set distanzatori asse posteriore, alu.
LOSA3187	HD Worm Gear Set, 21T (2): CCR, NCR	HD Schneckengetriebe 21 (2)	Set de pignons hélicoïdaux 21T : CCR/NCR	Set worm gear HD, 21T (2): CCR, NCR
LOSA3194	Front & Center CV Rebuild Kit	CV Wellen vorn & hinten	Kit maintenance CVD avant & centre	Kit riparazione CV ant./post.
LOSA3196	Front CV Drive Shaft Set HD	Antriebswellenset vorne HD	Cardans avant CV renforcés	Set trasmissione CV HD anteriore
LOSA3197	Front CV Axle HD	Vorderachse	Axes de roues avant CVD renforcé	Asse CV HD anteriore
LOSA3198	Front CV Drive Shaft HD	Antriebswelle vorne	Set de cardans avant CVD renforcé	Albero di trasmissione CV HD anteriore
LOSA3199	CV Pin Retainer Clip & 11mm Pins HD	CV Pin Retainer Clip & 11mm Pins HD	Goupilles 11mm pour CVD	CV Pin Retainer Clip & 11mm Pins HD
LOSA4009	Battery Strap (2)	Akkuleiterschlaufe	Sangles de batterie (2)	Fascetta batteria (2)
LOSA4012	Axle Case Set	Achsgehäuse	Boîtier de pont	Set scatola asse
LOSA4036	ESC Platform	Halter Regler	Support contrôleur	Supporto ESC
LOSA4037	Servo Mounts, Plate & Hardware	Servohalter Platte & Zubehör	Support servos	Supporti servo, piastra e hardware
LOSA4039	Trasmissione Skid Plate	Unterfahrtschutz Getriebe	Sabot de transmission	Piastra proteggi trasmissione
LOSA5012	Upper Shock Bushings & Lower Shock Pivots (4)	Stoßdämpferlager oben & Dämpferkugelpfopf unten (4)	Palier supérieur et rotules inférieures d'amortisseurs (4)	Boccole ammortizz. superiori e pivot ammortizz. inferiori (4)
LOSA5015	Double O-Ring Shock Cartridge	Doppel O-Ring Schraube f. Stoßdämpfer	Double joint torique pour amortisseur	Double O-Ring Shock Cartridge
LOSA5023	Shock Spring Clamps and Cups	Federteller Stelling Kugelpfanne	Couppelles et bagues de ressorts	Morsetti e coppe molla ammortizzatore
LOSA5046	Shock Pistons #56	Kolbenplatte #56, Rod (4)	Pistons d' Amortisseur #56	Pistoni ammortizzatore #56
LOSA5062	Shock Shaft 1.2" Ti-Nitride	Dämpfer Kolbenstange, 1.2 Ti-Nitride	Tige d'amortisseur, 1.2 Ti-Ni	Stelo ammortizzatore 1.2" Ti-Nitride
LOSA5079	Shock Ends and Cups (4)	Stoßdämpferendkappen m. Kugelpfanne (4)	Couppelles et chapes d'amortisseur (4)	Terminali e coppe ammortizzatori (4)
LOSA6045	HD Steering Link Set	Anschluss Lenkgestänge	Tringlerie de direction renforcée	Set collegamenti sterzo HD
LOSA6100	1/8" E-Clips	1/8 E-Clips	1/8 E-Clips	1/8" E-Clips
LOSA6109	5mm E-Clips (12)	5mm E-Clips (12)	5mm E-Clips (12)	5mm E-Clips (12)
LOSA6201	3x6mm Socket Head Screw	3mm x 6mm Zylinderschraube	Vis Chc M3 x 6mm	3x6mm viti a brugola
LOSA6206	4-40 x 3/8" Button Head Screws	4-40 x 3/8 SH Schrauben	écrous SH 4-40 x 3/8	4-40 x 3/8" viti a testa tonda
LOSA6210	4-40 x 3/8" Flat Head Socket Screws	Losi 4-40 x 3/8 Flachkopfschrauben	Vis tête plate 4-40 x 3/8	4-40 x 3/8" viti a testa piatta
LOSA6213	4-40 x 1/4" Flat Head Socket Screws	Losi 4-40 x 1/4 Flachkopfschrauben	Chc fraisé 4-40 x 1/4	4-40 x 1/4" viti a testa piatta
LOSA6221	4-40 x 5/8" Cap Screws	Losi 4-40 x 5/8 Zylinderskopfschrauben	Vis Chc 4-40 x 5/8	4-40 x 5/8" viti a brugola
LOSA6228	Hardened Setscrews 5-40	Madenschrauben gehärtet 5-40	Set de vis, 5-40	Grani induriti 5-40
LOSA6229	4-40 x 3/8" Button Head Screws	4-40 x 3/8 Rundkopfschrauben	Vis tête bombée 4-40 x 3/8	4-40 x 3/8" viti a testa tonda
LOSA6245	4-40 x 5/16" Button Head Screws	Losi 4-40x5/16 Rundkopfschrauben	Vis tête bombée 4-40 x 5/16	4-40 x 5/16" viti a testa tonda
LOSA6248	4-40 Setscrew Assortment (11)	Losi 4-40 Schraubensortiment (11 Stk)	Assortiment vis 4-40 (11)	4-40 assortimento grani (11)
LOSA6256	4-40 x 1/2" Button Head Screws (6)	Losi 4-40 x 1/2 Rundkopfschrauben (6)	Vis tête bombée 4-40 x 1/2 (6)	4-40 x 1/2" viti a testa tonda (6)
LOSA6258	2-56 x 5/16" Flat Head Screws	Losi 2-56 x 5/16 Flachkopfschrauben (24)	Vis tête plate 2-56 x 5/16	2-56 x 5/16" viti a testa piatta
LOSA6269	4-40 x 5/16" Flat Head Screws	Losi 4-40 x 5/16 Rundkopfschrauben (6)	Vis tête bombée 4-40 x 5/16	4-40 x 5/16" viti a testa piatta
LOSA6294	2-56 x 5/16" Cap Head Screws	Losi 2-56 x 5/16 Zylinderskopfschraube (6)	Vis 2-56 x 5/16	2-56 x 5/16" viti a brugola
LOSA6306	4-40 Aluminum Mini-Nuts (10)	Losi 4-40 Aluminium Mini-Muttern (10)	Mini-écrous alu 4-40 (10)	4-40 mini dadi in alluminio (10)
LOSA6308	4-40 Steel Locking 1/2 nuts (10)	Losi 4-40 1/2 Muttern Stahl (10)	Ecrou freiné en acier 4-40 1/2 (10)	4-40 Steel Locking 1/2 nuts (10)
LOSA6350	#4 and 1/8" Hardened Washers	Losi Unterlegscheiben #4 und 1/8 gehärtet	Rondelles 4 et 1/8	#4 and 1/8" rondelle indurite
LOSA6358	Shim Set for Comp Crawler	Unterlegscheibenset	Jeux de cales: CCR	Set spessori Crawler di competizione
LOSA6937	5x10mm Shielded Ball Bearing (2)	Losi 5x10mm Kugellager gekapselt (2)	Roulements flasqué 5x10mm (2)	5x10mm cuscinetto a sfera protetto (2)
LOSA6940	6x12mm Sealed Ball Bearing (2)	6x12mm Kugellager gekapselt (4)	Roulements étanches 6x12mm (2)	6x12mm cuscinetto a sefera sigillato (2)
LOSA6947	5x11x4mm Rubber Sealed Ball Bearing (4)	5x11x4 Kugellager gekapselt (4)	Roulements étanches 5x11x4 (4)	5x11x4mm cuscinetto a sefera sigillato in gomma (4)
LOSA6956	12x8x4mm Bearing (2)	12x8x4mm Kugellager (2)	Roulement 12 x 18 x 4mm (2)	12x8x4mm cuscinetto (2)
LOSA7682B	Fr/Rr Rock Claws 2.2 Tire (2)	Rock Claws 2.2 Reifen mit Schaumeinlage , Blau (2)	Pneus av./arr. Rock Claws 2.2 avec mousse (2)	Gomme ant./post Rock Claws 2.2 (2)
LOS81430	4x8x3mm Ball Bearing (4)	Kugellager 4x8x3mm (4)	Roulements 4x8x3 (4)	4x8x3mm cuscinetto a sefera (4)
LOS82034	Lower Track Rods	Gestänge unten	Tirans inférieurs	Tiranti inferiori
LOS82036	Steering Track Rod & Bushings	Lenkgestänge und Lager	Tirans de direction & bagues	Tirante sterzo e boccole
LOS82037	Upper Track Rods	Gestänge oben	Axes supérieures	Tiranti inferiori
LOS82291	Battery Tray	Losi Akku Einheit	Support batterie	Piastra radio
LOS82370	Servo Arm & Metal Insert	Servoarm und Metalleinsatz	Palonnier de servo et mousse métal	Squadretta servo & inserto in metallo
LOS82460	Body Post Set	Karosseriehalter	Plots de carrosserie	Set supporto carrozzeria
LOS83012	Center Transmission Case Supports	Halter Getriebegehäuse: NCR	Carter de transmission centrale et support	Supporto scatola trasmissione centrale
LOS83013	Center Transmission Gear Set	Getriebegehäuse: NCR	Pignon de transmission centrale	Set ingranaggio trasmissione centrale
LOS83014	Center Transmission Shaft/Pin Set	Antriebswelle und Pin Set	Arbre/goupilles de transmission centrale	Set albero/perno trasmissione centrale
LOS83018	Motor Plate, Black: NCR	Wellen und Stiftsatz für Getriebe: NCR	Support moteur, Noir	Piastra motore, nero: NCR
LOS83525	Molded 12mm Hex Set	12mm Kunststoff Radaufnahme Set: NCR	12mm, Hexagone moulé	Set esagoni saldati 12mm
LOS83580	Center CV Drive Shaft	Antriebswelle Mitte: NCR	CV Cardan	Albero di trasmissione centrale CV
LOS83581	Center Drive Shaft Cup Adaptor	Antriebsklaue Mitte: NCR	Noix de cardan central	Adattatore coppa albero di trasmissione centrale
LOS83582	Center Drive Shaft CV Yoke & Coupler	Gelenkkappe Mitte inkl Zubehör: NCR	Accouplement central	Yoke e accoppiatore albero di trasmissione CV centrale
LOS83583	Center CV Drive Shaft Set	Antriebswellen Set Mitte: NCR	Jeux de cardans centr	Set trasmissione centrale CV
LOS83992	4mm Aluminum Serrated Lock Nuts, Black (6)	4mm Aluminium Stopmmutter verzahnt, Schwarz (6)	Ecrous M4 nylstop en aluminium, noir (6)	Dado dentato 4mm, alu., nero (6)
LOS89996	LED Light Set	Losi LED Set	Jeux d'éclairage DEL	Set luci LED
LOS230005	LED Light Board and Light Bar Housing: NCR2.0	Losi LED Lichtleiste und Gehäuse: NCR2.0	NCR2.0 - Module de DELs et boîtier de rampe	Barra luci LED e supporto: NCR2.0
LOS230007	Body, Painted: Night Crawler 2.0	Losi Karosserie lackiert: Night Crawler 2.0	NCR2.0 - Carrosserie peinte	Carrozzeria verniciata: Night Crawler 2.0
LOS231004	Side Plate, Chassis, Bk: Night Crawler 2.0	Chassis Seitenplattenset: Night Crawler 2.0	NCR2.0 - Plaques latérales de châssis, noires	Side plate e telaio, nero: Night Crawler 2.0
LOS233000	Shock Spring, 2.5 x 3.4 Rate, Silver/Black	Losi 2.5 Feder 3.4 Rate, schwarz (4)	Ressorts 2,5" dureté 3,4 , Argent/Noirs	Molla ammortizzatore, 2,5 x 3,4 rate, argento/hero
LOS234001	Shock Body, 1.2, Non-Thrd, Silver: NCR2.0	Dämpfergehäuse, 1.2, ohne Gewinde, silber (4): NCR2.0	NCR2.0 - Corps d'amortisseurs 1.2", non-fileté, argent	Corpo ammortizzatore 1.2 non filettato, argento NCR2.0
SPMSR310	SR310 DSMR 3 Ch Sport Rec	Spektrum SR310 DSMR 3 Kanal Sport Empfänger	Récepteur SR310 3 voies DSMR	SR310 DSMR ricevente sport a 3 canali
TLR8202	Body Clips	Karosserieklammern Schwarz	Clips de carrosserie	Clip carrozzeria
TLR74006	Silicone Shock Oil, 30wt, 2oz	TLR Silikon Dämpferöl, 30wt, 2oz	Huile silicone d'amortisseur, 30wt, 60 ml	Olio di silicone ammortizzatore, 30wt, 2oz

Optional Parts List • Optionale Teile • Liste des options • Elenco parti opzionali

Part #	English	Deutsch	Français	Italiano
LOSA1031	Lower Track Rod, 7x83mm (2)	Gestänge unten, 7x83mm (2)	Tirants inf., 7x83mm (2)	Tirante sterzo inferiore, 7x83mm (2)
LOSA1032	Upper Track Rod, 7x70mm (2)	Gestänge oben, 7x70mm (2)	Tirants sup. 7x70mm (2)	Tirante sterzo superiore, 7x70mm (2)
LOSA1518	Steering King Pins, TINI (4)	King Pins Lenkung TINI (4)	Pivots de direction, Ti-Ni (4)	King pins sterzo, TINI (4)
LOSA3186	12mm Aluminum Hex (5.7mm wide) (4)	12mm Aluminium Radaufnahme (5.7mm wide) (4)	Hex 12mm alu (5.7mm wide) (4)	12mm esagone alluminio (5.7mm larghezza) (4)
LOSA5045	Shock Pistons #57, Black (4)	Kolbenplatte #57, Schwarz (4)	Pistons d' Amortisseur #57, noir (4)	Pistoni ammortizzatore #57, neri (4)
LOSA5056	Threaded Shock Body Set 1.2"	Losi Dämpfergehäuse Set Aluminium mit Gewinde 1.2	Corps d' Amortisseur fileté 1.2	Set corpo ammortizzatore con filettatura 1.2"
LOSA5144	2.75" Spring 1.4 Rate, Gold	2.75 Feder 1.4 Rate, Gold	2.75 ressort dureté 1.4 , Or	2.75" Molla 1.4 Rate, dorata
LOSA5150	2.5" Spring 2.3 Rate, Pink	2.5 Feder 2.3 Rate, Pink	2.5 ressort dureté 2.3, rose	2.5" Molla 2.3 Rate, rosa
LOSA5152	2.5" Spring 2.6 Rate, Red	2.5 Feder 2.6 Rate, Rot	2.5 ressort dureté 2.6, rouge	2.5" Molla 2.6 Rate, rossa
LOSA5154	2.5" Spring 2.9 Rate, Orange	2.5 Feder 2.9 Rate, Orange	2.5 ressort dureté 2.9, Orange	2.5" Molla 2.9 Rate, arancione
LOSA5158	2.5" Spring 3.7 Rate, Green	2.5 Feder 3.7 Rate, Grün	2.5 ressort dureté 3.7, vert	2.5" Molla 3.7 Rate, verde
LOSA5160	2.5" Spring 4.1 Rate, Blue	2.5 Feder 4.1 Rate, Blau	2.5 ressort dureté 4.1, bleu	2.5" Molla 4.1 Rate, blu
LOSA99037	Crawler Servo Arm, Alum, 23T: JR, AIR, KO, SPEK	Servorarm Crawler Aluminium, 23Z Spektrum, JR, Air	Crawler Palonnier de servo, alu, 23T: JR, Air, KO, SPEK	Crawler squadretta servo in alluminio, 23T: JR, AIR, KO, SPEK
LOSA99038	Crawler Servo Arm, Alum 24T: Hitec	Servorarm Crawler Aluminium, 24Z Hitec	Crawler Palonnier de servo, alu, 24T: Hitec	Crawler squadretta servo in alluminio 24T: Hitec
LOSA99039	Crawler Servo Arm, Alum 25T: Fut	Servorarm Crawler Aluminium, 25Z Futaba	Crawler Palonnier de servo, alu, 25T: FUT	Crawler squadretta servo in alluminio 25T: Fut
LOS230008	Body, Clear: Night Crawler 2.0	Losi Karosserie transparent: Night Crawler 2.0	NCR2.0 - Carrosserie transparente	Carrozzeria trasparente: Night Crawler 2.0